



Bobcat®

T 3071





Bobcat®

T 3071

RATED CAPACITY	3000 kg
LIFTING HEIGHT	7050 mm
MAXIMALE REICHWEITE	4000 mm
CAPACITY	at max. height 3000 kg
	at max. reach 1200 kg
CROWDING FORCE	4500 daN
WEIGHT (unladen)	6550 kg



FUNCTION TIME

	Seconds
Lift speed	8.3
Lower speed	6.5
Telescope in	6.5
Telescope out	7.9
Crowding	1.2
Dumping	1.5



4X4X4 MOTION

4 EQUAL DRIVE AND STEERING WHEELS
Mobility and motion through 2 automatic steering axles 2 WD - 4WD - CRAB



TYRES

Standard	400/70x20	150B
Option	400/80X24	150B

THE STEERING MODE IS SELECTED FROM THE OPERATOR'S CAB



BRAKES

ENGINE BRAKING Hydrostatic
MAIN BRAKES Immersed disk brakes acting on both axles
PARKING AND EMERGENCY BRAKES Negative mechanical acting on both axles



ENGINE

TYPE	PERKINS 1004.42 and 1004.40T Diesel 4 cylinder / 3990 cc DIRECT INJECTION WATER COOLING		
POWER AT 2200 RPM DIN 6271	HP	kW	
	ATMO	80	60
	TURBO	106	80
MAX. TORQUE	ATMO	290 Nm at 1400 rpm	
	TURBO	394 Nm at 1400 rpm	



HYDROSTATIC TRANSMISSION

2 DRIVING MODES: aggressive/smooth
2 SPEED RANGES: forward and reverse
Working FWD and REV 0 to 7 km/h
Travel FWD and REV 0 to 30 km/h
- Accelerator pedal for automatic gear variation
- Single pedal for inching and braking



HYDRAULIC SYSTEM

GEAR TYPE PUMP	
WORKING PRESSURE	220 bar
FLOW RATE	91 l/min



CAPACITIES

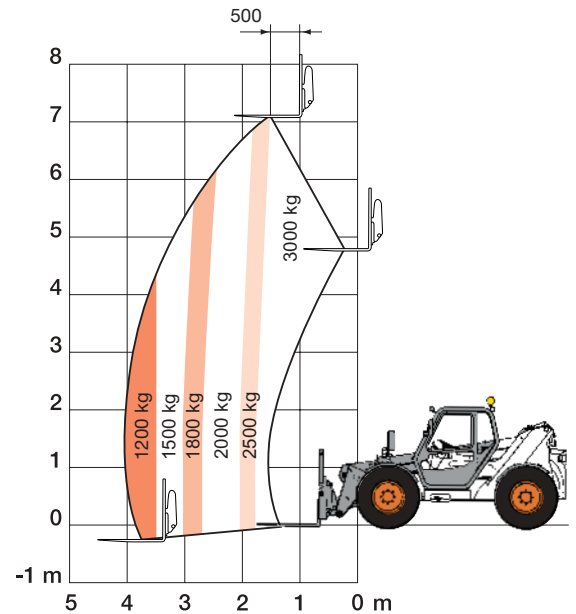
HYDRAULIC SYSTEM	70 l	
FUEL TANK	145 l	
AXLES AND REDUCTION GEARS	17.5 l	
ENGINE OIL	ATMO 8 l	TURBO 8 l



ATTACHMENTS

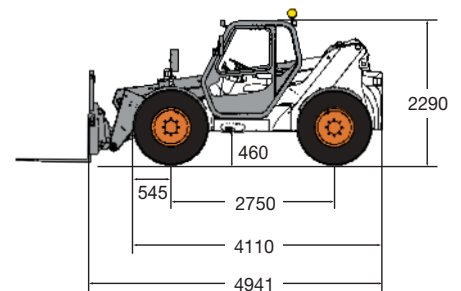
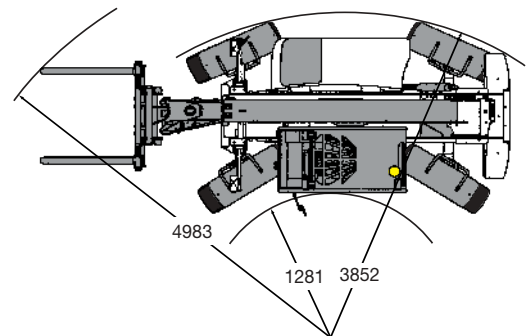
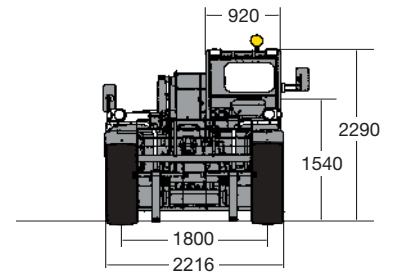
4 in 1 bucket - 800-2500 l digging and reclaim bucket - Concrete bucket (mechanical or hydraulic opening) - Pallet-forks with or without side shift carriage - Extension jib - Crane jib - Trailer hook - Dozer blade

LIFTING CAPACITIES



DIMENSIONS

All dimensions are in mm.



Specifications and design are subject to change without notice.

Get more info from your dealer.



BOBCAT EUROPE

J. Huysmanslaan, 59 - B - 1651 LOT Belgium
© +32 (0)2 371 68 11 - Fax +32 (0)2 371 69 59